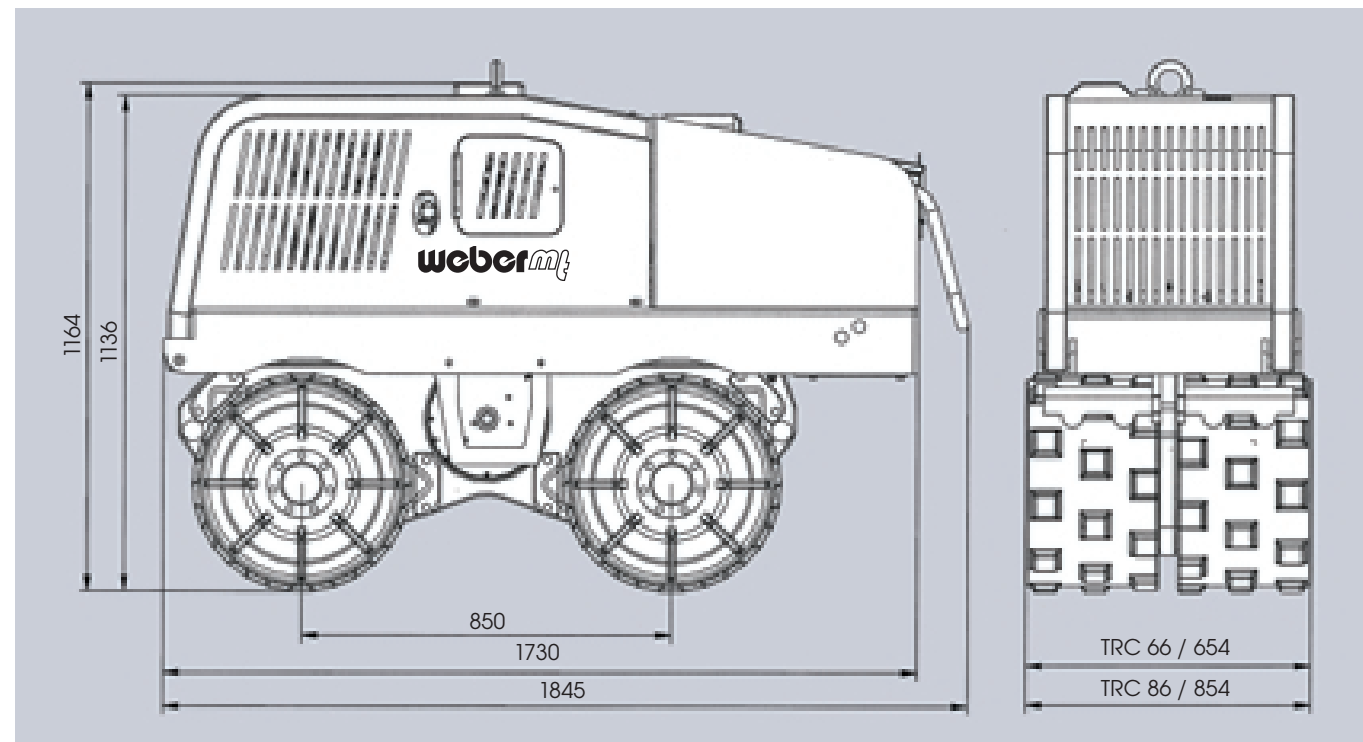


The trench rollers TRC 66 and TRC 86 in detail.

Facts you can truly rely on.

Type		TRC 66	TRC 86
Weight			
Machine weight	kgs (lbs)	1340 (2955)	1380 (3040)
Operational weight acc. CECE	kgs (lbs)	1350 (2980)	1390 (3065)
Drum width	mms (in.)	654 (26)	854 (34)
Average static linear load	kgs/cm	11.10	9.80
Drive			
Engine make		Lombardini	Lombardini
Engine model		LDW 1003	LDW 1003
Engine output acc. DIN 70020	kW/HP	19.5/26.5	19.5/26.5
Engine type		3-cyl Diesel water-cooled E-start	3-cyl Diesel water-cooled E-start
Travel drive hydrostatic		4 drums	4 drums
Working speed/fast speed (depending on nature of soil)	m per min (ft/min)	0-17/0-45 (0-56/0-148)	0-17/0-45 (0-56/0-148)
Grade ability (depending on nature of soil)	%	50	50
Service brake		hydrostatic	hydrostatic
Parking brake		mechanical	mechanical
Vibration			
System		central eccentric outside the drums	
Type of drive		hydrostatic	
Frequency	Hz	32	32
Amplitude	mm	1.85	1.70
Compaction force	kN (lbs)	75 (16860)	75 (16860)

Available accessoires: Radio remote control



Dimensions in mm

We reserve the right to alter specifications without prior notice.



WEBER Maschinenteknik GmbH · Im Boden 5-8, 10 · D-57334 Bad Laasphe · Germany
 Phone: +49 (0) 27 54/3 98-0 · Fax: +49 (0) 27 54/3 98-1 01 · E-mail: info@webermt.de · Internet: www.webermt.de

The Colours of Progress

TRC 66/86



Trench rollers TRC 66 and TRC 86



TRC trench rollers. Making a deep impression in difficult soil conditions



TRC trench rollers deliver top performance when it comes to compacting cohesive ground in trenches, sewer and pipe construction, foundation backfilling and of course road building.

Making a good thing even better

TRC 66 and TRC 86 are the culmination of our many years of experience in soil compaction coupled with an ambitious development program in our R & D centre. These new models combine solid, rugged construction with the latest high tech components to enhance operational safety and comfort.

- TRC trench rollers provide exceptionally smooth operation with the powerful water-cooled, electric start, 3-cylinder diesel engines.
- TRC trench rollers can be equipped with radio remote control, which can be charged at the roller.
- The eccentric weights are controlled automatically, but can also be operated according to

the operator's needs so that it is easier to climb or to brake on sloping ground.

- The machine controls can be protected from unwanted access and vandalism by using the available locking cover.
- The diesel fuel and engine oil cap are also lockable.
- The solid and rugged machine concept ensures long operating hours. Routine engine controls can be facilitated easily because of maintenance access doors.
- Scrapers prevent material from accumulating on the rolls.
- A centrally located, hinged lifting eye ensures easy transport.



Performance and operational comfort
Water-cooled 3-cylinder engines with electric starter.



Protection cover
Preventing unwanted access to controlling elements.



Easy-to-use radio remote control with large switches arranged conveniently.



Centrally located, hinged lifting eye for easy transport.